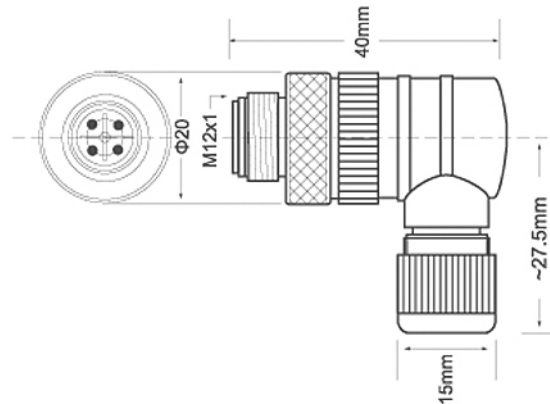




Note: The product images shown may change over time as products are updated.

Dimensions



Part Number

R-MA4KZ/PG7

Features

- Field connectors for quick cable repairs and connections
- Metal screw terminals for a tight connection
- Perfect solution to mate cables to distribution blocks
- Compatible with devicenet block connections

Technical Data

Connector Type	M12 A-Coded Male Angled
Number of Poles	4
Cable	4-6 mm
Connection Type	Screw Terminal
Body	PA6 + GlassFiber
Contact Insert	PA6
Contact	Au Plated CuZn
O-Ring	NBR
Coupling Nut	CuZn, Ni Plated
Rated Voltage	125 V
Rated Current	4 A
Protection Class	IP 67
Temperature Range	-25 C - +90 C
Wire Gauge	18 AWG max