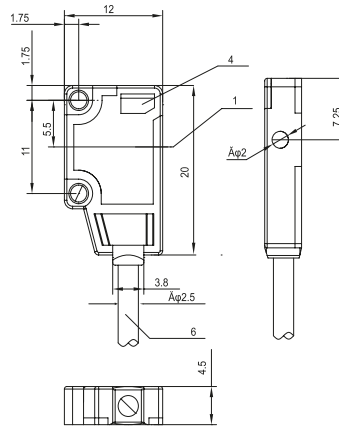




Note: The product images shown may change over time as products are updated.

Dimensions



1	Emitter optic axis
2	Receiver optic axis
3	Mounting hole $\phi$ 2mm
4	Green LED: power on
5	Red LED: on/off
6	Connection: 2m cable

Part Number

H10-TSTX-1000D-2M

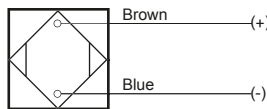
Features

Photoelectric sensors are used in virtually any manufacturing process with moving parts to detect products, machine parts, and a wide variety of moving objects.

For additional information, contact HTM Sensors at 800-644-1756 or [service@htmsensors.com](mailto:service@htmsensors.com)

Connection

Transmitter



Technical Data

Light Source	Red LED (630 nm)
Light Spot Size	130 mm at 1m range
Indicator LEDs	Power: Green
IO-Link	No
Supply Voltage	10-30 V DC
Max. Load Current	
No Load Current	$\leq 20$ mA
Short Circuit Protection	Yes
Reverse Polarity Protection	Yes
Output Type	-
Operation Mode	-
Response Time 1	-
Sensitivity Adjustment	-
Housing Material	PC+PBT
Lens Material	PC
IP Rating	IP67
Timer Options	-
Ambient Operating Temperature	-10 C to +55 C
Vibration Resistance	IEC 60947-5-2
Shock Resistance	IEC 60947-5-2
Cable or Connector	2 m Cable

