



Note: The product images shown may change over time as products are updated.

Part Number

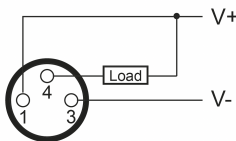
EQS1-2007N-A3U0.2/P8

Features

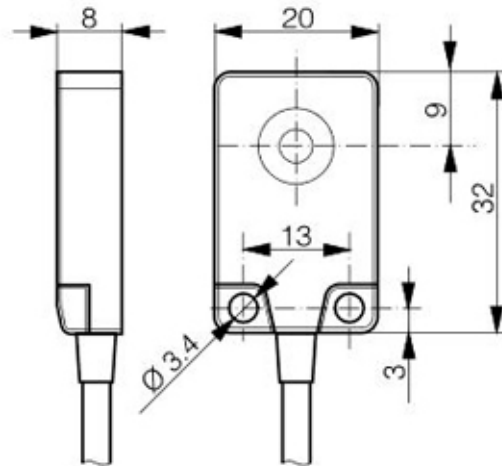
Inductive Proximity Sensors are used in a wide variety of manufacturing operations where a metal target needs to be sensed. HTM Sensors inductive proximity sensors have a Lifetime Warranty, a CSA or UL approval, and a huge inventory for same-day shipping. For tougher applications where the sensors need more range to stay out of harm's way, or to withstand high temperatures, weld spatter, chemical exposure, oil or other rough environments, HTM Sensors has the widest range of proximity sensors on the market.

Connection

- 1 - Brown
- 3 - Blue
- 4 - Black



Dimensions



Technical Data

| | |
|----------------------------|----------------------------------|
| Body Style | Rectangular |
| Sensor Housing Material | V2A Stainless Steel |
| Sensor Face Material | V2A Stainless Steel |
| Mounting Style | Shielded |
| Diameter | Q20 |
| Sensing Range: | 7 mm |
| Output Type: | NPN |
| Output Function | Normally Open IO Link compatible |
| Connection | 3 pin / 0.2 m |
| Connector Type | M8 pigtail |
| Operating Voltage | 10-30 V DC |
| Switching Frequency | 180 Hz |
| Operating Temperature | -25C to +85C |
| Current Consumption | <10 mA |
| IP Rating: | IP68 |
| EMC Rating | IEC 60947-5-2 (7.2.3.1) 1Kv |
| Shock Rating: | EC 60947-5-2 / 7.11 |
| Short Circuit Protected | Yes |
| Reverse Polarity Protected | Yes |
| Max Current | <200 mA |
| Leakage Current | <0.1 mA |
| Surge Current | N/A |
| Response Time | <15 mS |
| Hysteresis | 0.15 |
| Overload Trip Point | 220 mA |
| Weld Field Immune | No |
| Weld Spatter Resistant | No |
| Body Length (mm) | 32 x 20 x 8 mm |